

## Corona S60 / S60 vapor



**(GB) Assembly and operating instruction**

MADE IN GERMANY

**CE IP x4**

Druck-Nr.: 29343951en /28.12



# English

## Table of Contents

|  |    |
|--|----|
| Intended use .....   | 3  |
| General notes .....  | 3  |
| Important notes .....  | 4  |
| Electrical connection .....  | 5  |
| Connection example of a sauna facility with Corona S60 .....                     | 6  |
| Technical data .....   | 6  |
| Connection example of a sauna facility with Corona S60 vapor .....               | 7  |
| Technical data .....   | 7  |
| Assembly .....   | 8  |
| Scope of delivery .....  | 8  |
| Minimum clearances .....   | 8  |
| Safety temperature limiter .....   | 9  |
| Inserting the soapstones in the Corona S60 .....                                 | 10 |
| Inserting the soapstones in the Corona S60 vapor .....                           | 11 |
| Assembly of the protective cover on the sauna heater .....                       | 12 |
| Operating the Finnish sauna .....  | 13 |
| Soft sauna (only for Corona S60 vapor) .....                                     | 13 |
| Filling the evaporator .....   | 13 |
| Emptying the evaporator .....  | 13 |
| Operation with vaporizer .....   | 14 |
| De-scaling of the vaporizer .....  | 14 |
| Sauna stones .....   | 15 |
| Maintenance and care .....   | 15 |
| Service Address: .....   | 17 |
| Guarantee .....  | 17 |
| Handling procedures for return shipments (RMA) - Details for all returns ! ..... | 18 |

Dear Customer,

You have purchased a high quality technical system which will provide you with many years of enjoyable sauna bathing. This sauna heating system was constructed in accordance with state-of-the-art European safety standards, inspected and manufactured in accordance with the Quality Standard DIN EN ISO 9001:2000.

This detailed installation and user's guide was created for your information. Please note especially the important information and the data dealing with the electrical connection.

We wish you a richly invigorating and restorative sauna bathing experience.

First of all, check whether the sauna system has arrived at your site undamaged. Register transport damage claims immediately with the delivering transport company or please consult the supplier who provided the equipment to you.

## Intended use

This sauna heater is exclusively designed for the heating of sauna cabins, in connection with an appropriate control unit.

Any use apart from the defined application shall be regarded as non-intended use. Adherence to the conventional operating, maintenance and servicing conditions is also part of the intended use.

The manufacturer cannot be made responsible for deviating alterations undertaken on the authority of the user and any consequential damage. The risk for such measures shall be borne solely by the person carrying out the alterations and causing the damage.

Sauna heaters, with the exception of those used for household purposes, must be equipped with a safety device vis-à-vis the cover per DIN EN 60335-2-53.

As suitable measure, and depending on the sauna heater, a rocker switch Type I or Type II may be installed above the heater.

(The rocker switch is not included in the delivery scope of the sauna heater.)

For installation and electrical connection of the rocker switch follow the installation instructions supplied with this part.

## General notes

Please note that an optimal sauna climate can be reached only when the cabin, with its air intake and exhaust, the sauna heating unit and the control unit have been tuned for compatibility with one another.

Please note all data and information provided by your sauna supplier.

The sauna heating units warm your sauna cabin through means of heated convection currents. To this end, fresh air from the air intake vent is drawn in, rises upon warming (convection) and is then circulated through the cabin. A part of the used air is pushed out through the exhaust vent in the cabin. This is the means by which the typical sauna climate develops, reaching characteristic temperatures of about 110° C directly under the ceiling of your sauna, which fall off to about 30-40° C in the floor area due to the temperature gradient in the sauna cabin. Therefore, it is not unusual when, for example, temperatures of 110° C prevail in the area of the temperature sensor over the oven, while the thermometer, which is installed 20-25 cm under the cabin ceiling on the sauna wall, registers only 85° C. With a temperature setting at maximum, the mean bathing temperature lies between 80° C and 90° C in the area of the upper recliner bench.


Please note that the highest temperature values in the cabin always develop in the area above the sauna heating unit and that the temperature sensor and safety limiter must be installed in this area in accordance with the control unit installation guide.

At the initial heating, you may notice a slight odor arising from evaporation of substances from the manufacturing process. Air out your cabin after this cycle before you begin with the sauna bath





## Important notes




**If assembled incorrectly, the system will present a fire hazard. Please read this installation guide thoroughly. It is especially important to consider applicable dimensions and observe the following instructions:**

- This device has not been designed for being used by persons (including children) that are physically or mentally handicapped or have sensory disabilities. Moreover, it is not allowed to use this device without sufficient experience and/or knowledge, unless these persons will be supervised by persons responsible for their security or in case they have been instructed how to use this device.
- Children are to be supervised in order to make sure that they do not play with this device.
-  The installation and connection of the sauna heating unit, control unit and other electrical equipment must be accomplished only by an expert. In this regard it is especially important to meet the required safety precautions in accordance with VDE 0100 v. §49 DA/6 and VDE 0100 part 703/2006-2.
- The sauna heating and control units may be installed only in sauna cabins made of suitable, low resin and untreated material (for example: Nordic pine)
- Only a sauna oven with the appropriate heating capacity may be installed in the sauna cabin (see Table 2).
- There should always be a provision for air intake and exhaust vents in every sauna cabin. The air intake vents must always be aligned behind the sauna heating unit, ca. 5 to 10 cm above the floor. Please use the minimum dimensions of the air intake and exhaust vents listed in Table 1.
- The exhaust vents must always be placed towards the sauna heating unit diagonally in the rear sauna wall, lower area. The

air intake and exhaust vents must not be closed. Please observe the information provided by your sauna cabin supplier.

- For the adjustment and control of the sauna heating unit, one of the control units mentioned later must be used. This control unit must be attached to a suitable location on the outer wall of the cabin, the associated sensor housings in the interior of the sauna cabin in accordance with the installation guide which accompanies the control units.
-  Caution: Covering and improperly filled stone receptacles present a fire hazard.
-  Make certain that no objects have been placed on the sauna heating unit before each start-up.
-  Caution: High temperatures on the heating unit during operation can cause burns on contact.
- The sauna heating unit is not intended for installation or placement in a niche under the bench or under a roof slope.
- Do not start up operation of the sauna heating unit with air intake vents closed.
- The cabin lighting with corresponding mounting must be of a type that it is splash-proof and able to withstand a surrounding temperature of 140° C. Therefore, only a VDE-certified sauna lamp of 40 W maximum may be installed for use with the sauna oven.
-  The sauna system (sauna heating unit, control unit and lighting etc.) may be hard-wired to the power source only by a locally certified electrician. All connecting lines laid on the inside of the cabin must be made of silicone and be able to withstand a surrounding temperature of at least 170°C. If single-wired cables are used as connecting lines, they must be protected by flexible metal tubing. The minimum diameter of the connecting line and the suitable cabin size in proportion to the power supply capacity are listed

in the table.

- During the installation of the sauna heating unit, make certain that the vertical clearance between the upper edge of the sauna heating unit and the sauna ceiling is sufficient . The horizontal (lateral) clearance between the sauna heating unit and the cabin wall is provided in the dimension diagram of the respective sauna heating unit. The required distance between the lower edge of the sauna heating unit and the floor is also provided by the dimension diagram. In case of floor-standing ovens, the distance is determined by the base.
- Fundamentally, it is important to make sure that the sauna heating unit is not placed on a floor that consists of an easily flammable material (wood, synthetic flooring or similar material). Ceramic tiles or similar materials are practical in the area of the sauna.
- Underfloor heating in a sauna leads to increased surface temperature of the floor.
- The distance between the oven safety grid or recliner bench and other flammable materials and the sauna heating unit are provided in the dimensional data of the respective sauna heating unit. The safety grid height must be approximately equal to the frontal height of the sauna heating unit.
-  By cleaning of parts with sharp edges or corners the appropriate personal protection measures against potential injuries should be taken.
- The sauna heaters should be secured against overturning during installation on site.

## Electrical connection

Your electrician will be able to accomplish this work without further explanation in accordance with the provided wiring schematic and with the help of the circuit diagram mounted inside the respective control unit.

Be sure to note, however, that live wires should not be visibly laid onto the inner cabin walls due to safety considerations. For this reason, the wall element with the air intake vent is already equipped with cable conduits in most sauna cabins

Should there be no cable conduits in your cabin, drill an hole in the cabin wall immediately adjacent to the sauna heating unit where the cable projects from the sauna heating unit and pull the cable through this hole towards the exterior and then to the control unit. The cable as well as all other connecting lines (supply wire to the power source and to the cabin lighting) on the outside wall of the cabin should also be protected from damage, for ex. by installation in cable conduits or by covering with wooden skirting strips.

The sauna heater, if used with remote control\*, may be used only in combination with the appropriate cover protection system or S-Guard system.

*\*Remote control – means settings, switching, control and adjustment of the sauna control unit by means of commands transmitted from a remote location beyond sight distance using telecommunication, wire- or wireless signal transmission systems, network and similar systems.*

### Attention!

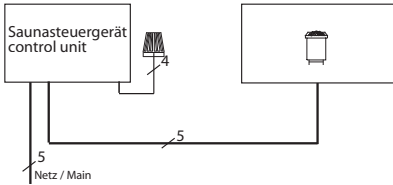
**Dear customer,**

**according to the valid regulations, the electrical connection of the sauna heater and the control box has to be carried out through the specialist of an authorized electric shop.**

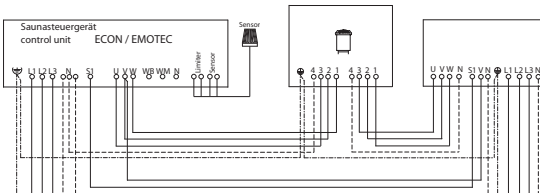
**We would like to mention to the fact that in case of a warranty claim, you are kindly requested to present a copy of the invoice of the executive electric shop.**

# Connection example of a sauna facility with Corona S60

## 9 kW

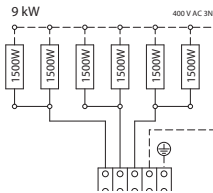


## 12 / 15 kW

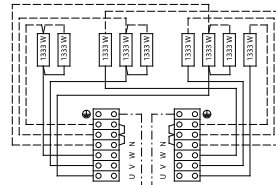


Caution! Always connect the neutral wire N

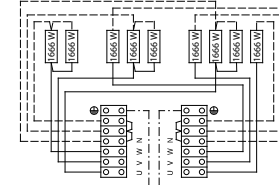
## 9 kW



## 12 kW



## 15 kW



to the power control unit

to control

to the power control unit

to control

| Heater power acc. to DIN | Electr. connection      | Control unit fuse in A | Fuses in the PCU in A | Connection mains - control unit | Connection mains - PCU | Connection control unit - heater | Connection PCU - heater | Connection control unit - PCU |
|--------------------------|-------------------------|------------------------|-----------------------|---------------------------------|------------------------|----------------------------------|-------------------------|-------------------------------|
| 9.0 kW                   | 3N AC<br>50 Hz<br>400 V | 3 x 16                 | --                    | 5 x 2.5                         | 5 x 2.5                | 5 x 1.5                          | 5 x 1.5                 | --                            |
| 12.0 kW                  |                         |                        | 3 x 16                |                                 |                        |                                  |                         | 4 x 1.5                       |
| 15.0 kW                  |                         |                        | 3 x 16                |                                 |                        |                                  |                         | 4 x 1.5                       |

All information on cable diameters are minimum diameters in mm<sup>2</sup> of copper line

## Technical data

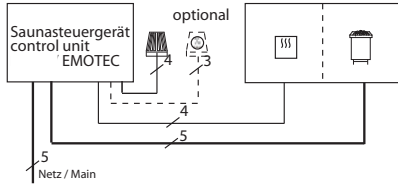
| Heater power acc. to DIN | Heater dimensions in cm H/W/D | For cabin volume       | Minimum dimension for ventilation for bleeding | Weight without stones and packaging | Stone filling | Power control unit (PCU) required | to be used with control units  |
|--------------------------|-------------------------------|------------------------|--|-------------------------------------|---------------|-----------------------------------|--|
| 9.0 kW                   | 85 / 51 / 53                  | 9 - 14 m <sup>3</sup>  | 35 x 6 cm                                      | 68 kg                               | 60 kg         | No                                | EMOTEC DC 9000<br>EMOTEC DC 9000 DB/DL/DLF<br>EMOTEC HCS 9003<br>EMOTEC HCS 9003 DB/DL/DLF<br>EmoTouch II PB/AF/GF |
| 12.0 kW                  |                               | 14 - 18 m <sup>3</sup> | 35 x 7 cm                                      |                                     |               |                                   |  |
| 15.0 kW                  |                               | 18 - 25 m <sup>3</sup> | 35 x 9 cm                                      |                                     |               | EMOTEC L09                        |  |

Leakage current: max. 0.75 mA per kW of heating power

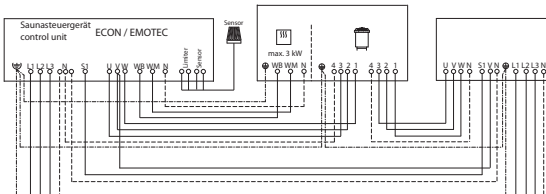
Sauna heater for use in family and commercial saunas

# Connection example of a sauna facility with Corona S60 vapor

## 9 kW

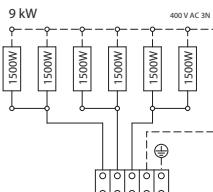


## 12 / 15 kW

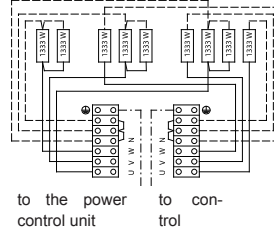


Caution! Always connect the neutral wire N

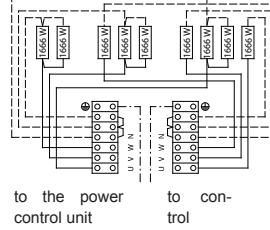
## 9 kW



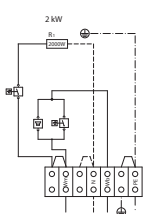
## 12 kW



## 15 kW



## Evaporator



| Heater power acc. to DIN | Evaporator power | Electr. connection      | Control unit fuse in A | Fuses in the PCU in A | Connection mains - control unit | Connection mains - PCU | Control unit connection - heater | Connection PCU - heater |         |
|--------------------------|------------------|-------------------------|------------------------|-----------------------|---------------------------------|------------------------|----------------------------------|-------------------------|---------|
| 9.0 kW                   | 2.0 kW           | 3N AC<br>50 Hz<br>400 V | 3 x 16                 | --                    | 5 x 2.5                         | 5 x 2.5                | 5 x 1.5<br>&<br>4 x 1.5          | --                      |         |
| 12.0 kW                  |                  |                         |                        | 3 x 16                |                                 |                        |                                  | 5 x 2.5                 | 5 x 1.5 |
| 15.0 kW                  |                  |                         |                        | 3 x 16                |                                 |                        |                                  | 5 x 2.5                 | 5 x 1.5 |

All information on cable diameters are minimum diameters in mm<sup>2</sup> copper line

## Technical data

| Heater power acc. to DIN | Evaporator power | Heater dimensions in cm H/W/D | For cabin volume       | Minimum dimension for ventilation and bleeding | Weight without stones and packaging | Stone filling | Power control unit (PCU) required | to be used with the control units                                   |
|--------------------------|------------------|-------------------------------|------------------------|--|-------------------------------------|---------------|-----------------------------------|---|
| 9.0 kW                   | 2.0 kW           | 85 / 53 / 53                  | 9 - 14 m <sup>3</sup>  | 35 x 6 cm                                      | approx. 78kg                        | 60 kg         | --                                | EMOTEC HCS 9003<br>EMOTEC HCS 9003 DB/DL/DF<br>EmoTouch II PB/AF/GF |
| 12.0 kW                  |                  |                               | 14 - 18 m <sup>3</sup> | 35 x 7 cm                                      |                                     |               | EMOTEC L09                        |   |
| 15.0 kW                  |                  |                               | 18 - 25 m <sup>3</sup> | 35 x 9 cm                                      |                                     |               | EMOTEC L09                        |   |

Evaporator contents: max approx. 8l

Leakage current: max. 0.75 mA per kW of heating power

Sauna heater for use in family and commercial saunas

## Assembly

### Scope of delivery

The following are included in the scope of delivery:

- 1 Sauna heater
- 7 soapstone plates
- 4 Sets of sauna stones, enclosed in a separate textile bag
- 1 evaporator bowl (vapor only)

### Minimum clearances

- The minimum height of the sauna cabin must be 1.90 m on the inside
- When assembling the sauna heater, make sure that the vertical clearance between the upper edge of the sauna heater and the sauna ceiling is at least 105 cm and the horizontal (side) clearance between the heater and cabin wall is at least 4 cm (fig. 1).
- The clearance between the protective grating for the heater/bench/other flammable materials and the heater must be at least 4 cm. The height of the protective grating for the heater must approximately correspond to the front height of the heater.

The wooden rails cannot replace contact protectors. Depending on the individual installation situation, the cabin manufacturer should provide suitable contact protection.

## Corona S60 vapor

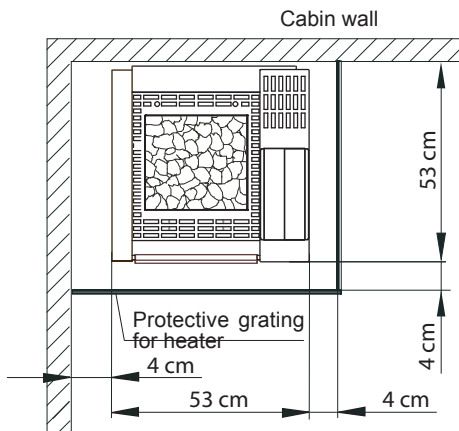


Fig. 1

## Corona S60

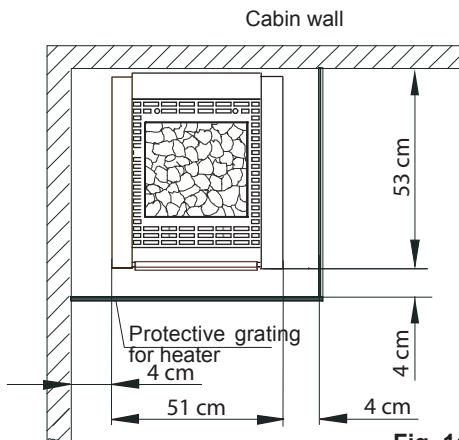


Fig. 1a

Connect the lines according to the circuit diagram. A circuit diagram is attached in the mains connection area.

Connect the lines to the 400 V AC mains. Please pay attention to the local PU and VDE regulations.

Seal the connection box with the cover. Use 2 x tapping screws for this purpose.



## Safety temperature limiter

(Corona S60 vapor only)

Due to safety reasons, a safety temperature limiter (STB) is installed in the evaporator connection box. If the evaporator does not function, please check the STB initially. This must be mechanically reset after being triggered.



Caution

**Disconnect the whole system from the mains before beginning any work.**

In order to gain access to the connection box, the cover on the right side must be removed.

Please initially remove both fixing screws on the back of the frame on the evaporator bowl.

The frame can now be fully removed together with the evaporator bowl (fig. 2)

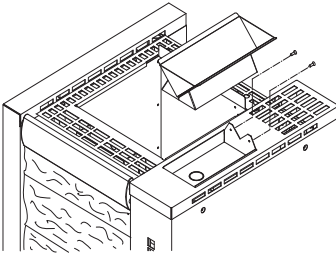


Fig. 2

To remove the cover, please loosen both screws fixed to the back. The cover can now be lifted upwards to be removed. Now simply pull the water collection bowl upwards out of the evaporator pipe (fig. 3).

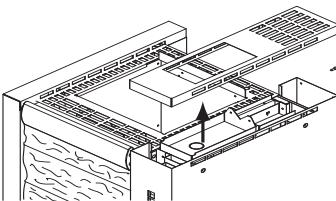


Fig. 3

Loosen the fixing screw on the connection box cover and open the connection box (fig. 4)

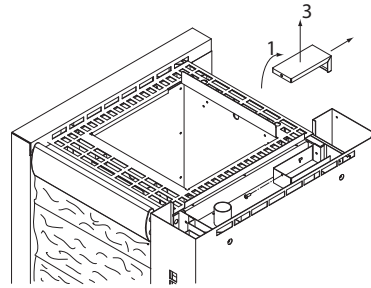


Fig. 4

The STB is reset by pressing the pin on the back of the housing until a snapping resistance can be felt.

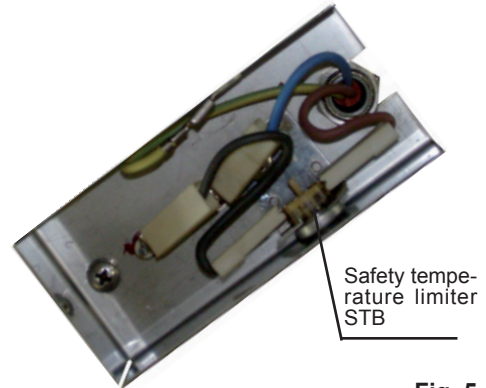


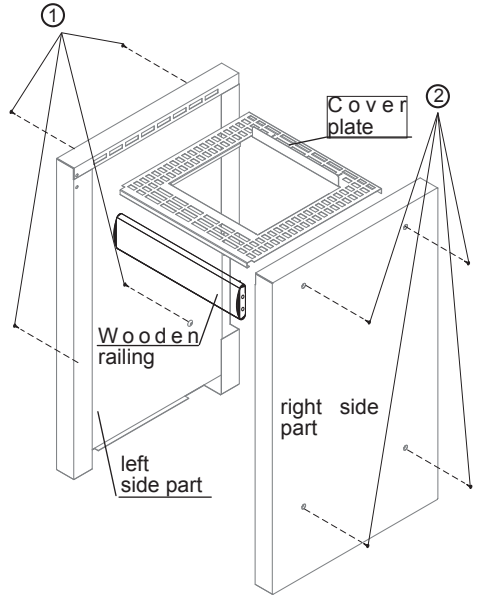
Fig. 5

## Inserting the soapstones in the Corona S60

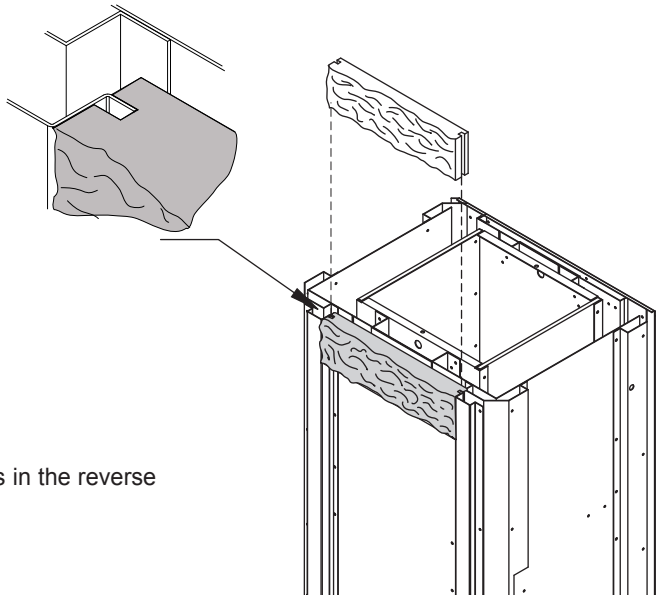
In order to insert the soapstones into the front of the heater, both side parts must be removed first. Loosen the screws (1) and remove the left side part.

After you have taken the wooden railing out of the positioning pins, loosen the screws (2) and remove the right side part.

The cover plate is lying loosely on the stone basket and can be removed.



Now slide the 7 individual soapstone plates, as illustrated, from above with the grooves on the fixing rail.



Now mount the removed parts in the reverse order.

## Inserting the soapstones in the Corona S60 vapor

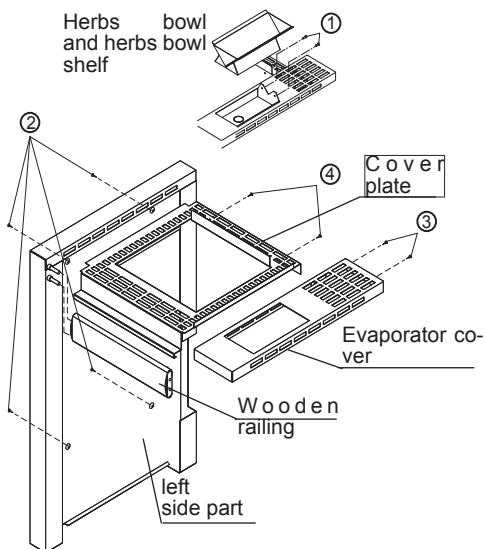
In order to insert the soapstones into the front of the heater, the herbs bowl must be removed first. The herbs bowl shelf can now be removed after loosening the screws (1).

Now unscrew the 4 fixing screws (2) on the left side part and remove it.

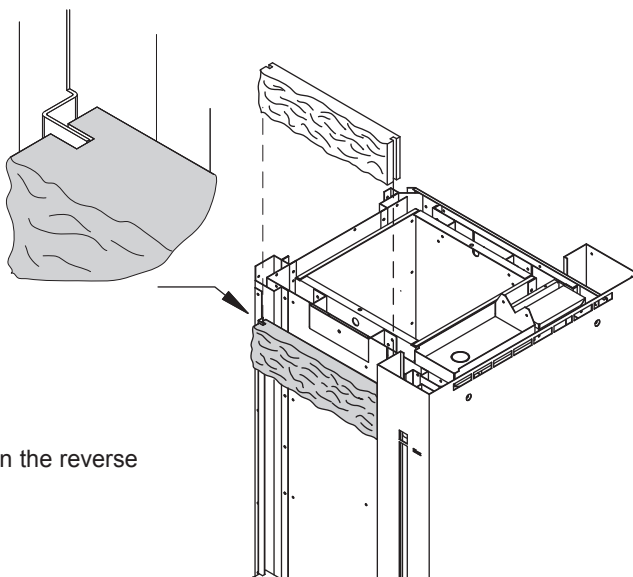
The wooden railing is now only inserted in 2 fixing grooves and can be pulled out.

After you have unscrewed the two fixing screws on the evaporator cover (3), this can be removed upwards.

Once you have also unscrewed the two fixing screws of the cover plate (4), you can remove this as well.



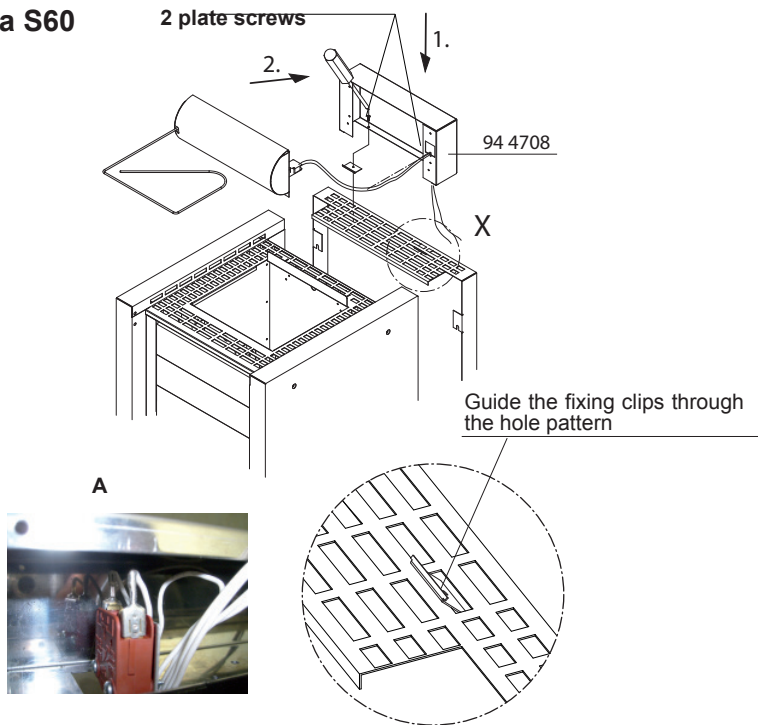
Now slide the 7 individual soapstone plates, as illustrated, from above with the grooves on the fixing rail.



Now mount the removed parts in the reverse order.

# Assembly of the protective cover on the sauna heater

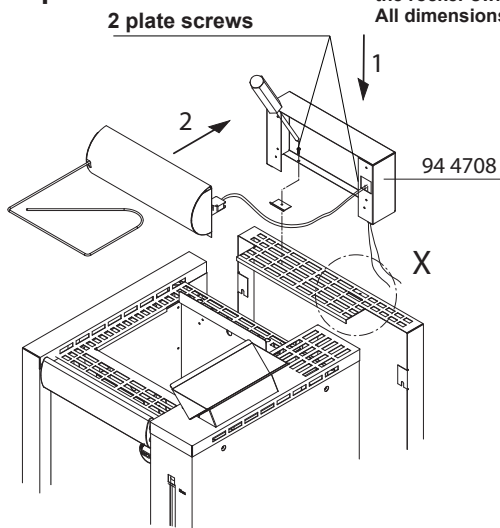
## Corona S60



X

All plate screws for suspension of the heater protector.  
All metric screws: for mounting the rocker switch  
All dimensions provided in mm.

## Corona S60 Vapor



## Operating the Finnish sauna

The evaporator is not in operation in this mode. It is compulsory to make sure that no herbs or essences are in the evaporator bowl as these can ignite at high temperatures. Only add essences or infusions to water following the manufacturer's instructions.

When using an infusion at the end of a sauna session, the water should not be poured out of the ladle too quickly so that the water can be fully evaporated and the full effect of the infusion can be achieved.

Never add more infusion quantities or essential oils than stated on the container. Never use alcohol or diluted concentrations. Caution! Risk of fire.



**Caution: only pour the infusion water over the stones.**

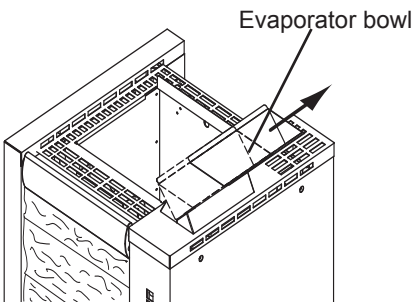


Never place herbs or similar products in the evaporator bowl for this type of sauna. Risk of fire!

## Soft sauna (only for Corona S60 vapor)

### Filling the evaporator

Slide the evaporator bowl back to fill the evaporator bowl manually.



Caution

The evaporator bowl may be hot when the sauna is in use. Use appropriate aids if required.

After filling, the evaporator bowl must be slid back into the original position.

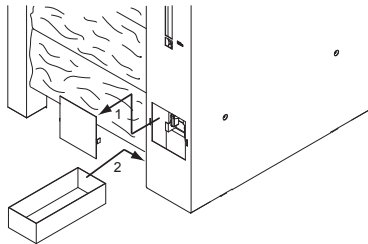
## Emptying the evaporator

The water outlet is found directly behind the right side part.

Place an appropriate container beneath the heater before opening the drainage faucet. The container must be slid as far as possible under the side part.

The drainage faucet is found behind the square cover suspended in the right side part. Simply slide this upwards and the remove to the front.

The drainage faucet can now be opened.



## Operation with vaporizer

(only Bi-O heaters)

The control of the vaporizer is managed by the control unit. Either you receive a humidity value which is regulated by a variance comparison at the sensor or which is determined through a timing cycle.

Please note that the relative humidity varies greatly due to the varying temperature distribution in the cabin. The readings of the hygrometer and the readings at the control unit can for that reason be very different.

Guarantee that sufficient water is in the storage vessel

**Never add essences, volatile oils or herbs to the water; instead add these to the herbal bowl on the lid of the vaporizer.**

These volatile oils which are released through action of the hot, rising steam are automatically distributed throughout the cabin with the rising steam.

If the water supply in the vaporizer has been drained, a buzzing signal indicates the water storage. To continue your sauna session, you have to refill the tank after a 5 minutes stop of the sauna control or a changing to Finnish sauna for 5 minutes.

The heating rod in the vaporizer must cool down for 5 minutes before cold water is refilled.



Never pour water on the red-hot heating rod. Besides of the danger of scald, the heating rod could be damaged.

Fill in the water up to the upper water level marking.



**Add herbs and essences to the herbal bowl only.**



**By adding essences or any other additives for air humidity, a health hazard cannot be removed. It is advised not to use those additives apart from the recommended ones by the manufacturer of the oven.**

If additives are put in the water, this generally leads to a foamy boiling over of the water. In this case the water must be drained and the interior of the cold reservoir washed out with a cloth soaked in alcohol or mineral spirits. Even small remainders of essences on the vaporizer wall will change the natural molecular structure of the water.



**Attention: Risk of scalding at the steam outlet. Essences and herbs are to be placed in the herb dish only.**



Caution concerning control units with post-heating phase. Never leave the herbal bag in the herbal bowl during the post-heating phase after a moist steam session. These dry out rapidly in this case and present a fire hazard!

For fire safety reasons only herbs in perforated aluminium bags may be used.

## De-scaling of the vaporizer

Consult your water utility company to determine the hardness level of your water. In areas with hardness level 1 (0-8,4° German hardness levels), the system generally works without problems and must be de-scaled only when necessary.

Should your water lie within the hardness levels 2-3, the vaporizer must be de-scaled from time to time (in accordance with the hardness level).

To this end, add the de-scaling product for household appliances, which is intended for aluminium, to the water in the vaporizer in accordance with manufacturer's instructions. Bring the water-and-de-scaling product mixture to a boil for about 10 minutes and allow to cool. After cooling, drain the mixture from the vaporizer and rinse at least twice with clear water. Note also the instructions given by the de-scaling product manufacturer.

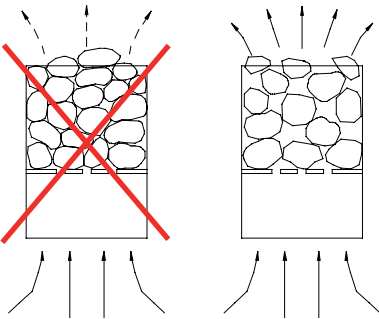
## Sauna stones

The sauna stone is a natural product. Check the sauna stones at regular intervals. Strong infusion concentrates especially can weaken the sauna stones and cause them to break apart over time. Consult your sauna supplier if necessary.

Rinse the sauna stones provided under running water and then place them in the stone compartment so that the convection air flow can circulate easily between the stones (Illustr. 9 + 10).

The number of stones is adequate to create a steam shock, vaporizing about 10 cl of water per m<sup>3</sup> cabin volume. Always wait 10 minutes after infusion before repeating the infusion. Only then the sauna stones will be sufficiently hot again.

Never add more essences or volatile oils than advised on the packaging. Never use alcohol or undiluted concentrates. Caution! Fire hazard!



Please be sure to note!



Do not stack the stones in layers; stack them loosely instead, leaving as many spaces as possible to allow the rising hot air to circulate.

**Remove stones from the sauna heater only when they are cooled off.**

## Maintenance and care

All sauna heating units are made of low-corrosion material. Still, to enjoy your sauna heating unit for a long time, you should maintain and care for the unit. To this end, always make sure that the vents and reflection plating in the area of air intake are free of objects. These can easily become clogged with fuzz and dust when drawing in fresh air. This reduces the air convection in the sauna heating unit and can be a cause of too high temperatures.

Clean or de-scale the heater when needed. Refer to your sauna supplier or directly to the manufacturing plant in case of defects or signs of wear and tear.

Only use original manufacturer's replacement parts, which can be obtained from your supplier or directly from the manufacturer.

**If you do not use your sauna for a significant period of time, always check before next use that cloths, cleansers or other objects have not been placed on the sauna heating unit or the vaporizer before turning them on.**

For the installation of sauna heaters, please pay attention to the DIN VDE 0100 part 703 !

This standard makes the following statement valid in your newest expenditure, since February 2006, paragraph 703.412.05; Quotation:

*The additional must be planned for all electric circuits of the Sauna by one or more fault current protection device (RCDs) with a calculation difference stream not more largely than 30 mA, excluded of it is Saunaheating.*

The EN 60335-1 DIN VDE 0700 part 1 of January 2001 states the following in paragraph 13: quote:

The leakage current may not exceed the following values during operation:

*- for stationary heaters of protection class I 0,75 mA; or 0,75 mA each kW input of the appliance, depending on the higher value, at a maximum value of 5 mA.*

If the appliance is equipped with a protective device for leakage current (ELCB), please pay attention to the fact that no other electrical units will be protected by this ELCB.

Under current manufacturing methods, it is not yet possible to produce tubular heating elements for sauna heaters which do not attract moisture on each end from the surrounding air. It is also possible that moisture from the surrounding air has been concentrated in the magnesium-oxide filling in the heating elements during transport or storage and is now causing the ELCB to be triggered.

In this case, the oven must be heated up under supervision of an expert, during which the PE conductor is not connected. After about 10 minutes, when moisture has evaporated from the heating elements, the oven must be reconnected to the PE conductor!

If the sauna heater is not in use for a significant period of time, we recommend running it every 6 weeks, so as to avoid moisture concentrating in the heating elements.

Therefore, should the ELCB be triggered during start-up, the electrical installation must be checked.

Installation of the sauna heater and control unit may be undertaken only by an authorized electrician. Without documentation of such installation, a warranty is fundamentally invalid.



Please keep this address in a safe place together with the installation guide.

To help us answer your questions quickly and competently please provide the information printed on the type shield including the model, item no. and serial no., in all inquiries.

### **Service Address:**

EOS Saunatechnik GmbH  
Adolf-Weiß-Straße 43  
35759 Driedorf-Mademühlen, Germany  
Tel: +49 (0)2775 82-514  
Fax: +49 (0)2775 82-431  
servicecenter@eos-sauna.de  
www.eos-sauna.de

## **WARRANTY**

The warranty is provided according to the legal regulations at present.

Manufacturer's guarantee:

- The period of guarantee starts from the date of purchase and lasts up to 2 years by commercial use and 3 years by private use.
- Always include the completed guarantee certificate when returning equipment.
- The guarantee is void for appliances which have been modified without manufacturer's explicit agreement.
- Damages caused by incorrect operation or handling through non-authorized persons are not covered under the terms of guarantee.
- In the event of a claim please indicate the serial number as well as the item number and model name with detailed description of the fault.
- This guarantee covers defective parts and labour but not the defects caused by wear and tear.

In case of complaint please return the equipment in its original packaging or other suitable packaging (caution: danger of transport damage) to our service department.

Always include the completed warranty certificate when returning equipment.

Possible shipping costs arising from the transport to and from point of repair cannot be overtaken by us.

Outside of Germany please contact your specialist dealer in case of warranty claims. Direct warranty processing with our service department is in this case not possible.

Equipment commissioning date:

Stamp and signature of the authorized electrician:

## Handling procedures for return shipments (RMA) - Details for all returns !

Dear customer

we hope that you will rejoice in the ordered articles. Just in case that you are not entirely contented as an exception, please follow the procedures specified below. This enabling us to ensure a quick and smooth handling of the return shipment.

### Please absolutely respect for all returns!

- Please add the available **RMA-voucher** always **completely filled out** together with an **invoice copy** to the return shipment! Do not stick it on the goods or on the packaging. **We do not accept the return shipment without these papers.**
- Not prepaid parcels **will be refused** and returned to Sender! Please always ask for the **RMA-No.** for the cheapest return.
- **Please pay attention that** the goods have to be sent back **without visible marks of use** in the **original scope of delivery and in original packing.**
- We recommend to use an **additional solid and break-proof covering box** which should be padded out with styrofoam, paper or similar. Transport damages as a result of faulty packing are for the sender's account.

### Form of complaint:

#### 1) Transport damage

- Please check the content of your parcel immediately and advise the forwarding company of a claim (parcel service/ freight forwarder)
- Do not use damaged goods!
- Ask the forwarder **for a written acknowledgement of the damages.**
- **Report the claim promptly by phone to your dealer.** He will discuss with you how to act in this case.
- If the transport box has been damaged, please use an additional covering box. Do not forget to add the **acknowledgement of the damage of the forwarding company !**

#### 2) Faulty goods

- The implied warranty period is 2 years. Please contact your dealer in case of **faulty or wrong articles or missing accessories.** He will discuss with you the individual case and try for immediate and customer-friendly solution.
- For **economic returns** within Germany you will get an **RMA-number from the manufacturer.**
- All returns have to be in the **original packing of the goods with corresponding accessories.** Please repack the goods to avoid damages. In case of wrong delivery, please do not use this article !

#### 3) Problems of installation and functioning

- Please **read the manual carefully first of all** and pay attention to the indicated assembly or installing instructions.
- **Your dealer should be the first contact person** because he knows his products best and also knows possible problems.
- **In case of function problems with an article,** please check at first whether there is an obvious material defect. The quality system in our factory reduces malfunctions of new appliances to almost zero.